

0/1-10V LED dimmable driver---Constant voltage 36W

■ Feature

- Output constant voltage
- Universal AC input:100-265VAC
- Built-in active PFC function
- High efficiency up to 86%
- Protections:Short circuit/Over current/Over loading
- Cooling by free air convection
- Fully isolated plastic case with terminals IP20
- Class 2 power unit
- Three in one dimming function(0/1-10Vdc or PWM signal or resistance)
- Dimming range: 0-100%
- Suitable for LED lighting and moving sign applications
- Compliance to worldwide safety regulations for lighting
- Three years warranty



■ Specification

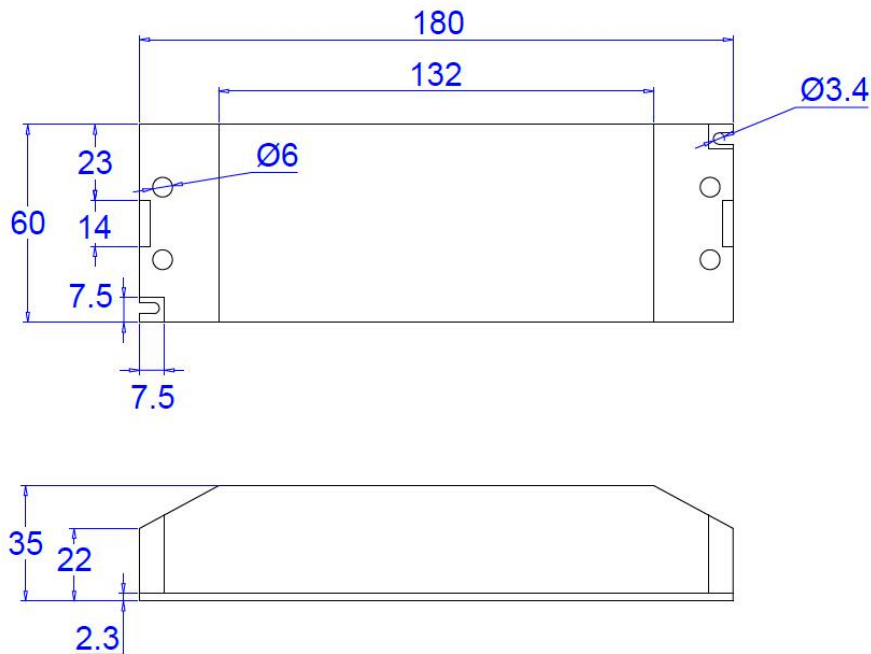
CE IP20 SELV

Model		KV-12036-P-DIM	KV-24036-P-DIM	KV-36036-P-DIM	KV-48036-P-DIM
Output	DC Voltage	12V	24V	36V	48V
	Voltage Tolerance	±0.5V			
	Rated current	0 - 3 A	0 - 1.5A	0 - 1A	0 - 0.75A
	Rated power	36W			
Input	Voltage Range	100~265VAC			
	Frequency Range	47~63HZ			
	Power Factor	PF≥0.95/120VAC PF≥0.90/230VAC PF≥0.90/265VAC (Full loading)			
	Efficiency (Typ.)	83%	85%	86%	86%
	AC Current (Max.)	0.40A	0.39A	0.39A	0.39A
	Leakage current	<0.5mA			
Protection	Short Circuit	Hiccup mode, recovers automatically after fault condition is removed			
	Over Loading	≤120%			
	Over Current	≤1.2*Iout			
Environment	Working TEMP.	-40~+60℃			
	Working Humidity	20~90%RH non-condensing			
	Storage TEMP.,Humidity	-40~+80℃, 10~95%RH			
	TEMP.coefficient	±0.03%/℃ (0~50℃)			
	Vibration	10~500Hz, 2G 12min./1 cycle, period for 72min. each along X,Y,Z axes			
Safety&EMC	Safety standards	EN61347-1 EN61347-2-13			
	Withstand voltage	I/P-O/P:3.75KVAC			
	Isolation resistance	I/P-O/P: 100M Ohms/500VDC/25℃/70%RH			
	EMC EMISSION	Compliance to EN55015,EN61000-3-2 (≥60%load)			
	EMC IMMUNITY	Compliance to EN61000-4-2,3,4,5,6,11, EN61547, light industry Level Criteria A			
Others	Net.Weight	0.55Kg			

0/1-10V LED dimmable driver---Constant voltage 36W

	Size	180*60*35mm (L*W*H)
	Packing	355*215*215mm 20PCS
Notes	<p>1. All parameters NOT specially mentioned are measured at 230VAC input , rated load and 25°C of ambient temperature.</p> <p>2. Tolerance:includes set up tolerance,line regulation and load regulation .</p> <p>3. The power supply is considered as a component that will be operated in combination with final Equipment. Since EMC performance will be affected by the complete installation,the final equipment manufactures must be-qualify EMC Directive on the complete installation again.</p>	

■ 36W 0-10V dimmable driver Mechanical Specification



■ Label



※Input with Live Wire(L) Neutral Wire (N)

※Signal Dimming (0/1-10V) (DIM+), (DIM-)

※Output LED SEC (LED+) , (LED-)

Note: Any other requests we can customized.

■ Dimming Operation

※Built-in 3 in 1 dimming function, IP20 rated .Output luminous can be adjusted through output cable by connecting a resistance or 0/1-10Vdc or 10V PWM signal between DIM+ and DIM-.

※Please DO NOT connect “DIM-“ to “LED-“

※Reference resistance value: (Typical)

Resistance value	Single driver	0Ω	10KΩ	20KΩ	30KΩ	40KΩ	50KΩ	60KΩ	70KΩ	80KΩ	90KΩ	100KΩ	OPEN
	Multiple drivers	0Ω/N	10KΩ/N	20KΩ/N	30KΩ/N	40KΩ/N	50KΩ/N	60KΩ/N	70KΩ/N	80KΩ/N	90KΩ/N	100KΩ/N	——
Percentage of luminous		0%	10%	20%	30%	40%	50%	60%	70%	80%	90%	100%	100%

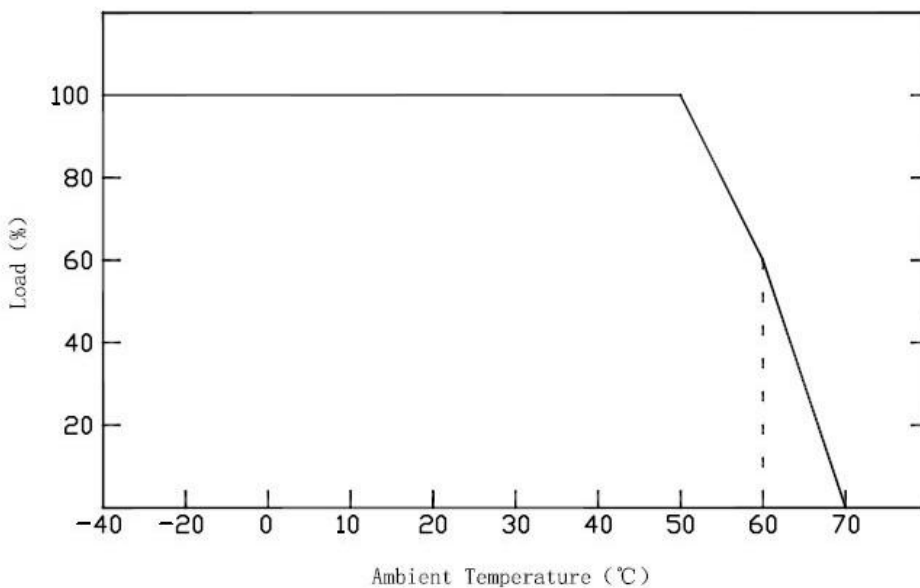
※1-10/0-10V dimmable function :(Typical)

Dimming value	0V	1V	2V	3V	4V	5V	6V	7V	8V	9V	10V	OPEN
Percentage of luminous	0%	10%	20%	30%	40%	50%	60%	70%	80%	90%	100%	100%

※10V PWM signal: (Typical): Frequency range:100Hz-3KHZ

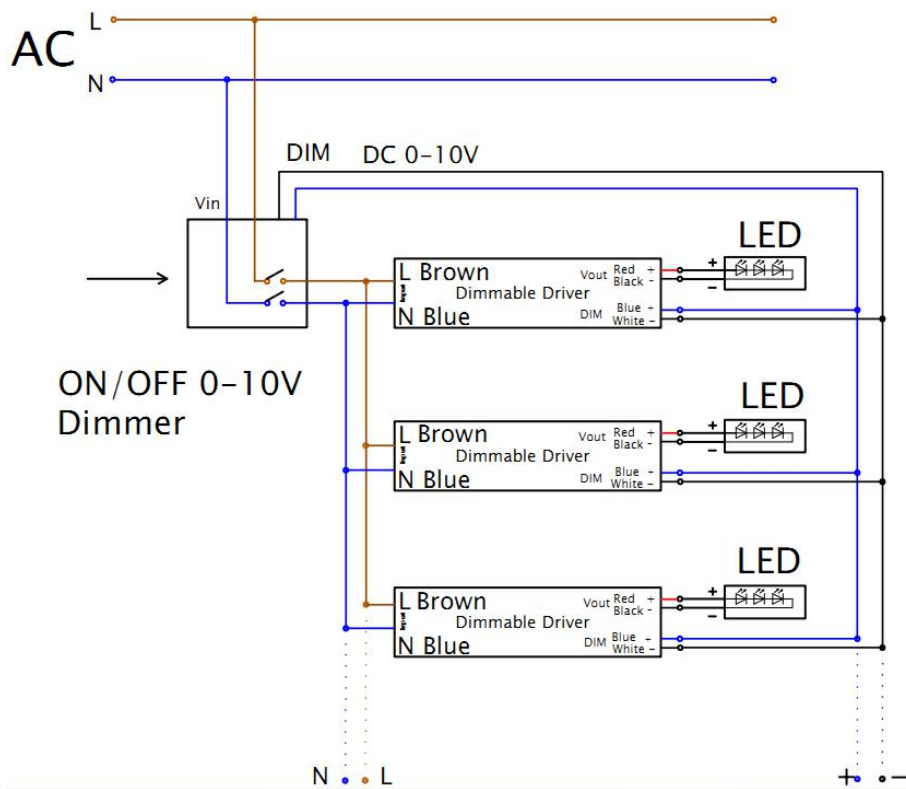
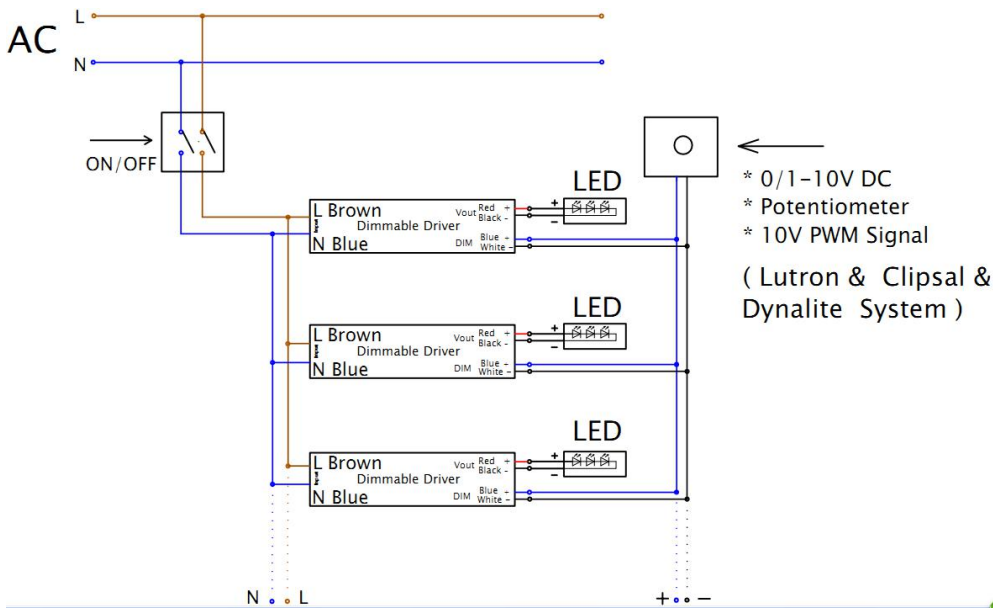
Duty value	0%	10%	20%	30%	40%	50%	60%	70%	80%	90%	100%	OPEN
Percentage of luminous	0%	10%	20%	30%	40%	50%	60%	70%	80%	90%	100%	100%

■ Derating Curve



※Load carried in accordance with the load derating curve, according to the ambient temperature derating, in order to extend the service life.

■ Connect Drawing



■ Instruction

- 1) This driver should be installed by qualified and professional person;
- 2) Suitable for indoor use without direct sunlight exposure; Good ventilation are need;
- 3) Ensure that wiring is correct before test in order to avoid light damage;
- 4) If driver cannot work normally, don't maintain privately; Have any questions, please contact Shengchang