

0/1-10V LED dimmable driver---Constant voltage 320W

Feature:

- Output constant voltage
- Universal AC input:170-265VAC
- Built-in active PFC function
- High efficiency up to 90%
- Protections: Short circuit/Over current/Over loading
- Cooling by free air convection
- IP66 design for indoor or outdoor installation
- Class 1 power unit
- Three in one dimming function(0/1-10Vdc or PWM signal or resistance)
- Dimming range: 0-100%
- Suitable for LED lighting and moving sign applications
- Compliance to worldwide safety regulations for lighting
- Three years warranty



■ Specification

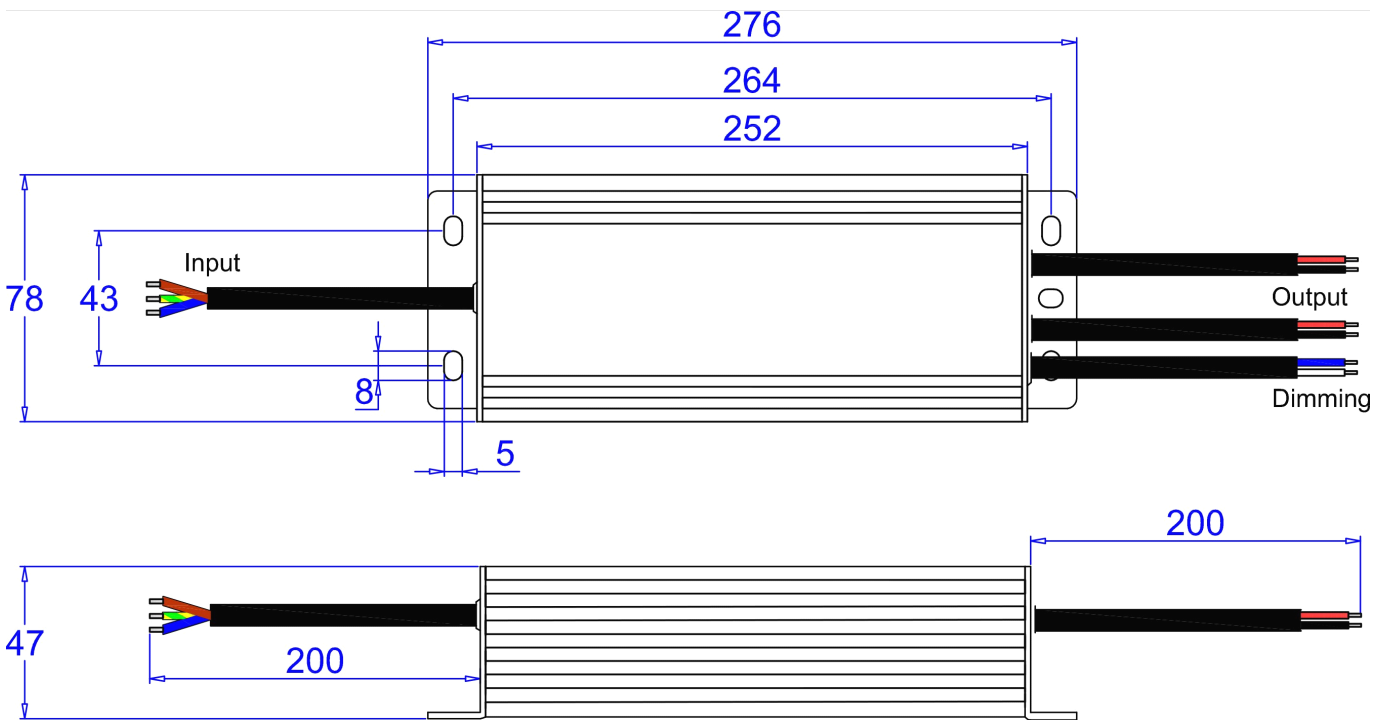
CE   IP66 SELV

Model		KV-12320-A-DIM	KV-24320-A-DIM
Output	DC Voltage	12V	24V
	Voltage Tolerance	±0.5V	
	Rated current	0 - 26.67A	0 - 13.33A
	Rated power	320W	320W
Input	Voltage Range	170-265VAC	
	Frequency Range	47-63HZ	
	Power Factor	PF ≥ 0.98/120VAC PF ≥ 0.98/230VAC PF ≥ 0.95/265VAC(Full loading)	
	Efficiency(Typ.)	90%	90%
	AC Current(Max.)	2.3A	2.3A
	Leakage current	<0.5mA	
Protection	Short Circuit	Hiccup mode, recovers automatically after fault condition is removed	
	Over Loading	≤120%	
	Over Current	≤1.2*Iout	
Environment	Working TEMP.	-40+60℃	
	Working Humidity	20-95%RH non-condensing	
	Storage TEMP., Humidity	-40+80℃, 10-95%RH	
	TEMP. coefficient	±0.03%/℃(0-50℃)	
	Vibration	10~500Hz, 5G 12min./1 cycle, period for 72min.each along X,Y,Z axes	
Safety&EMC	Safety standards	EN61347-1 EN61347-2-13	
	Withstand voltage	I/P-O/P:3.75KVAC I/P-FG:1.88KVAC O/P-FG:0.5KVAC	
	Isolation resistance	I/P-O/P I/P-FG O/P-FG:100M Ohms/500VDC/25℃/70%RH	
	EMC EMISSION	EN55015,EN61000-3-2 (≥60%load)	
	EMC IMMUNITY	EN61000-4-2,3,4,5,6,11,EN61547, light industry Level Criteria A	

0/1-10V LED dimmable driver---Constant voltage 320W

Others	Net. Weight	1.7Kg
	Size	276*78*47mm(L*W*H)
	packing	390*310*185mm/10pcs /CTN
Notes	1. All parameters NOT specially mentioned are measured at 230VAC input , rated load and 25°C of ambient temperature. 2. Tolerance: includes set up tolerance, line regulation and load regulation . 3. The power supply is considered as a component that will be operated in combination with final Equipment. Since EMC performance will be affected by the complete installation, the final equipment manufactures must be-qualify EMC Directive on the complete installation again.	

■ 320W 0-10V dimmable driver Mechanical Specification



■ Label



※Input Rubber cable H05RN-F 3*1.0mm² ,the green /yellow cable connect with (FG),Brown with AC (L),Blue with AC(N)

※Signal Rubber H05RN-F 2G*0.75mm²,Blue is(DIM+),White is(DIM-)

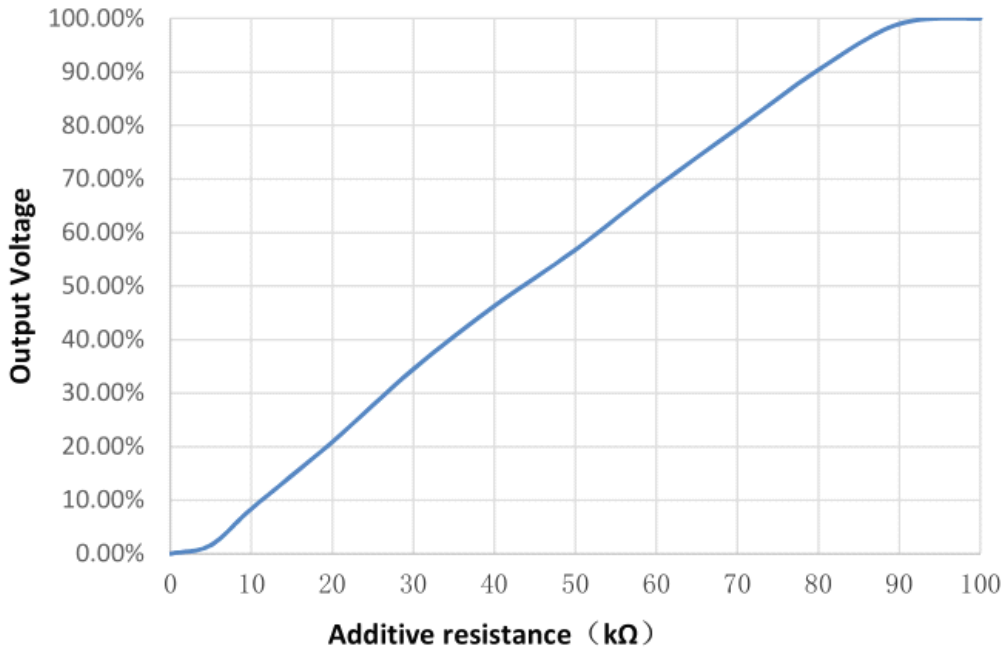
※Output Rubber cable SJTW 14AWG (2*2.08mm²) ,Red is output(V+) Positive,Black is output (V-) negative.Connected to LED Lamps. 12V DC model two groups output cable / 24V DC model one group output cable.

Note: Any other requests we can customized.

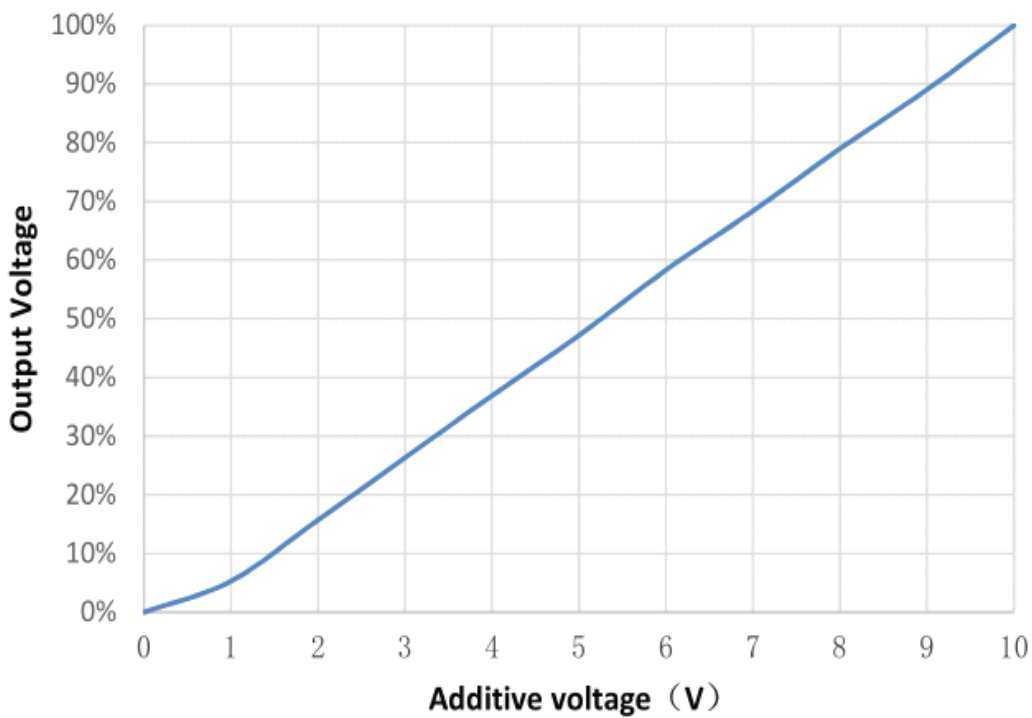
0/1-10V LED dimmable driver---Constant voltage 320W

■ Dimming Curve

Resistance Dimming Curve

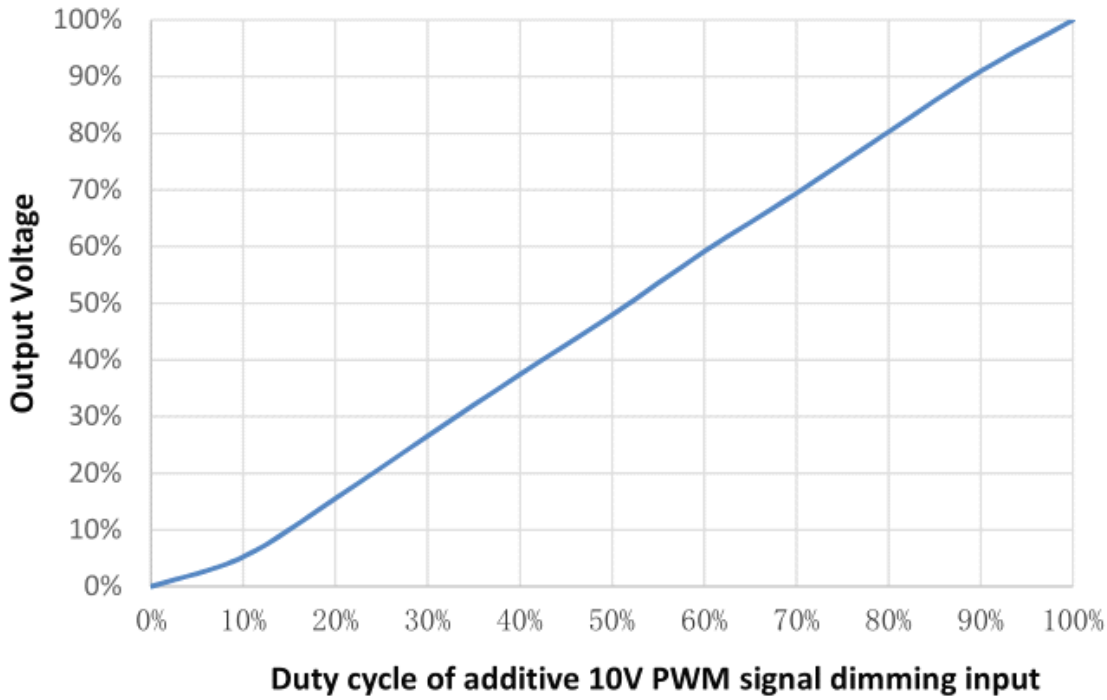


Voltage curve of signal line

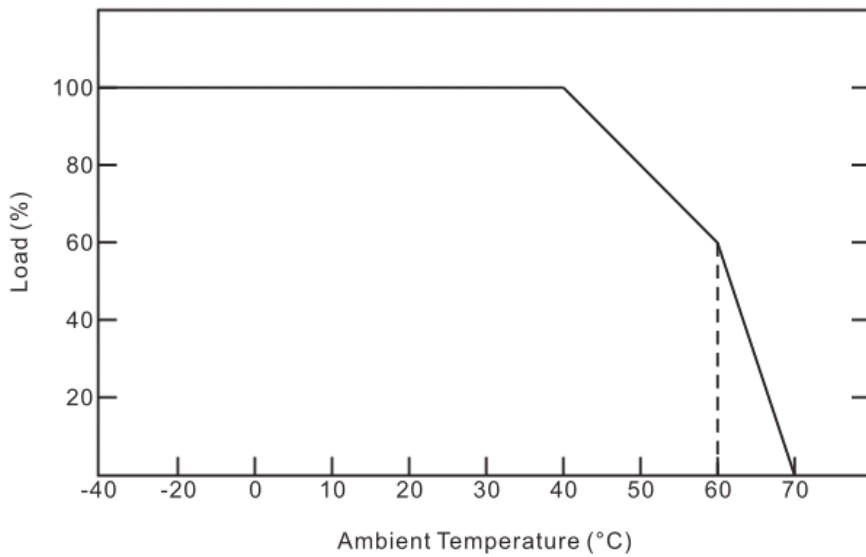


0/1-10V LED dimmable driver---Constant voltage 320W

10V PWM duty ratio signal curve



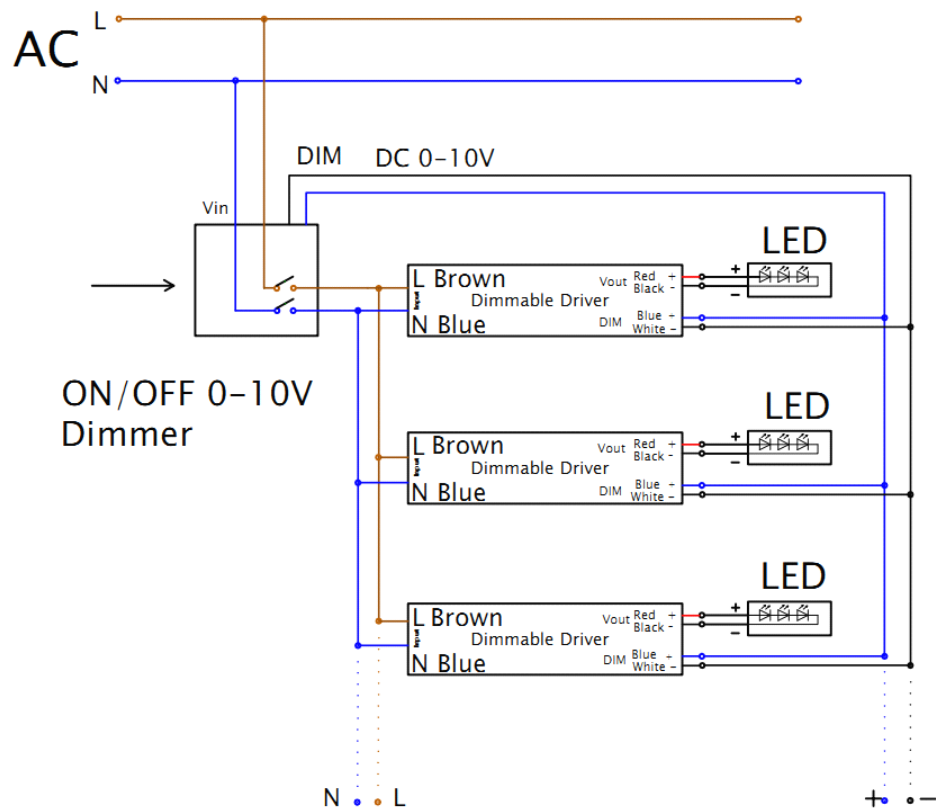
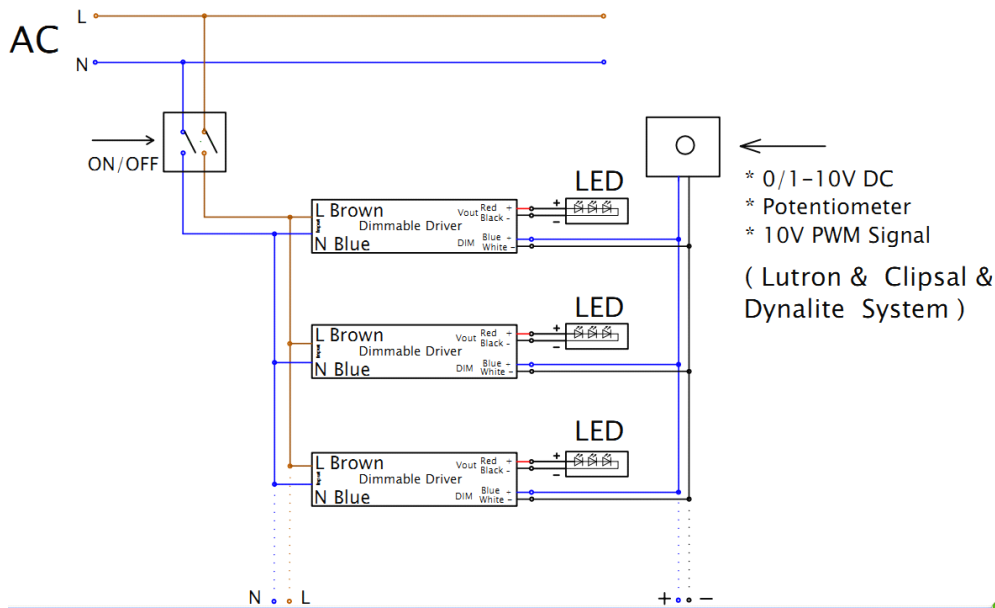
■ Derating Curve



※ To extend their life ,please refer to the Derating Curve and derate according to the temperature

0/1-10V LED dimmable driver---Constant voltage 320W

■ Connect Drawing



■ Instruction

- 1) This driver should be installed by qualified and professional person;
- 2) Suitable for indoor use without direct sunlight exposure; Good ventilation are need;
- 3) Ensure that wiring is correct before test in order to avoid light damage;
- 4) If driver cannot work normally, don't maintain privately; Have any questions, please contact Shengchang